

VP 135004/5

Peterbilt –Wicked- Drop Visor Instructions Read Entire Instruction Sheet Before Beginning

Safety Glasses	10mm Metric Wrench
Grinder	7/16" Wrench
Silicone or "Loctite [®] "	Phillips Head Screw Driver
Masking Tape	Window Cleaner and Paper Towels
1/2" Drill bit	

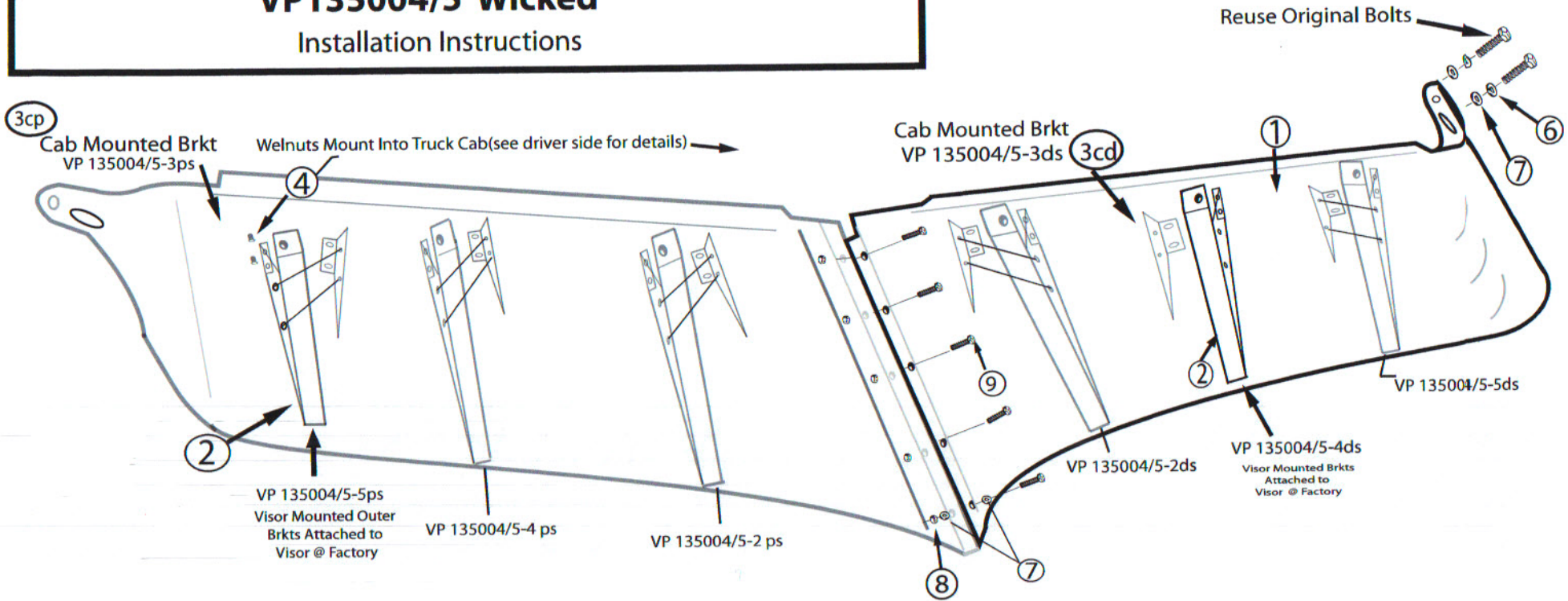
Steps:

- 1) Remove your current visor:
 - a) Note: You will need to reuse the bolts which go into the side of the cab at the ends of the visor.
- 2) Grind off the heads of the Huck bolts.
 - a) Hold the existing brackets in place and take your time grinding Huck heads. If you grind too fast or hard it will melt the paint around the head. It is recommended that you only grind a little bit at a time.
- 3) Drill out the "Huck" holes with a 1/2" diameter drill bit.
 - a) Drilling requires you to have a "drill-stop", if you do not have one wrap tape around the drill bit approximately one inch from the tip of the bit, this will prevent "Breaking through" and damaging the interior headliner.
- 4) Press the well nuts into the 1/2" holes. (See Side View illustration)
- 5) Install the outer brackets onto truck cab per illustration. Once you feel the bolt "bottom out" STOP TIGHTENING.
- 6) Install the drivers side portion (Item 1) of the visor first.
 - a) Screw in a couple of turns the "side of cab bolts" through the holes in the end of the visor.
 - b) Start with the outer driver's side bracket to temporarily hold it in position.
- 7) Repeat Step 6 with the passenger side.
- 8) Where the visors join together, bolt center brackets together (through visor holes) until finger tight.
- 9) Align the visor by snugly tightening the 2 pc brackets together at each bracket location. Start with the outer brackets and finish by completely tightening the center brackets where visor halves join. Note: Bracket mounted on visor mounts to outer side of cab bracket.
- 10) Remove the PVC coating from the visor.
- 11) **Use lock washers on all bolts that mount directly to truck cab** to prevent loosening due to normal road vibrations.
- 12) Wipe away fingerprints with window cleaner.

PETERBILT- 2005-NEWER-ULTRACAB DROP VISOR (w/cab mntd. mirrors)

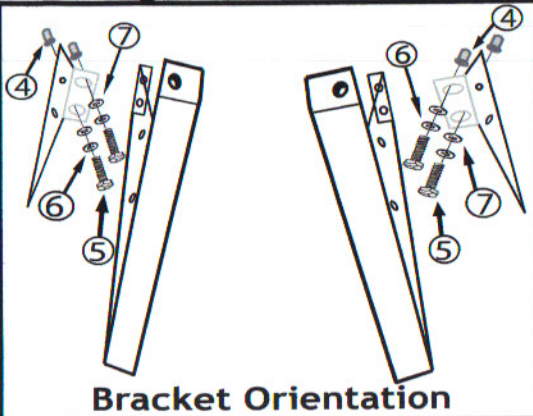
VP135004/5 Wicked

Installation Instructions

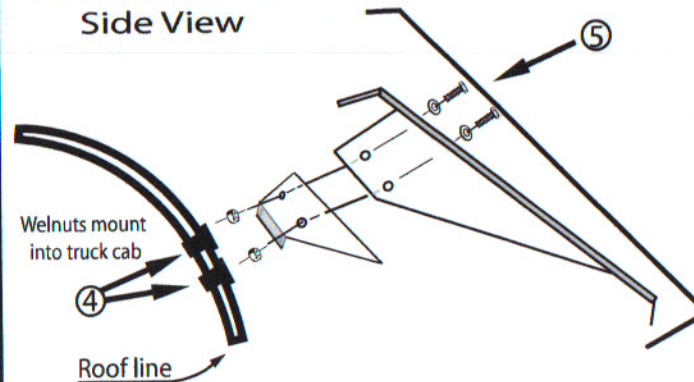


Passenger side

Driver side



Side View



Pkg by	Date	REVISION 4/11
--------	------	---------------

Item	QTY	Description	Size/ Desc.
①	2	Visor body Halves	13.5' x 35"
②	6	Visor Brackets - Large (see detail for part #s)	Factory Mounted
③cd	3	Visor Brackets - Small - Drv Sd (VP 135004/5-3ds)	2 x 5-3/4"
③cp	3	Visor Brackets - Small - Pgr Sd. (VP 135004/5-3ps)	2 x 5-3/4"
④	12	Rubber Welnuts	1/4"
⑤	12	Hex Head Bolts	1/4-20 x 1"
⑥	16	Lock Washers	1/4"
⑦	50	Flat Washers	1/4"
⑧	17	Nylock Nuts	1/4"
⑨	17	Hex Head Bolts	1/4-20 x 3/4"