

VP 135001

Peterbilt 14" Wicked Visor

359 Standard Cab

Drop Visor Instructions

Read Entire Instruction Sheet Before Beginning

Safety Glasses	10mm Metric Wrench
Grinder	7/16" Wrench
Silicone or "Loctite®"	Phillips Head Screw Driver
Masking Tape	Window Cleaner and Paper Towels
1/2" Drill bit	.

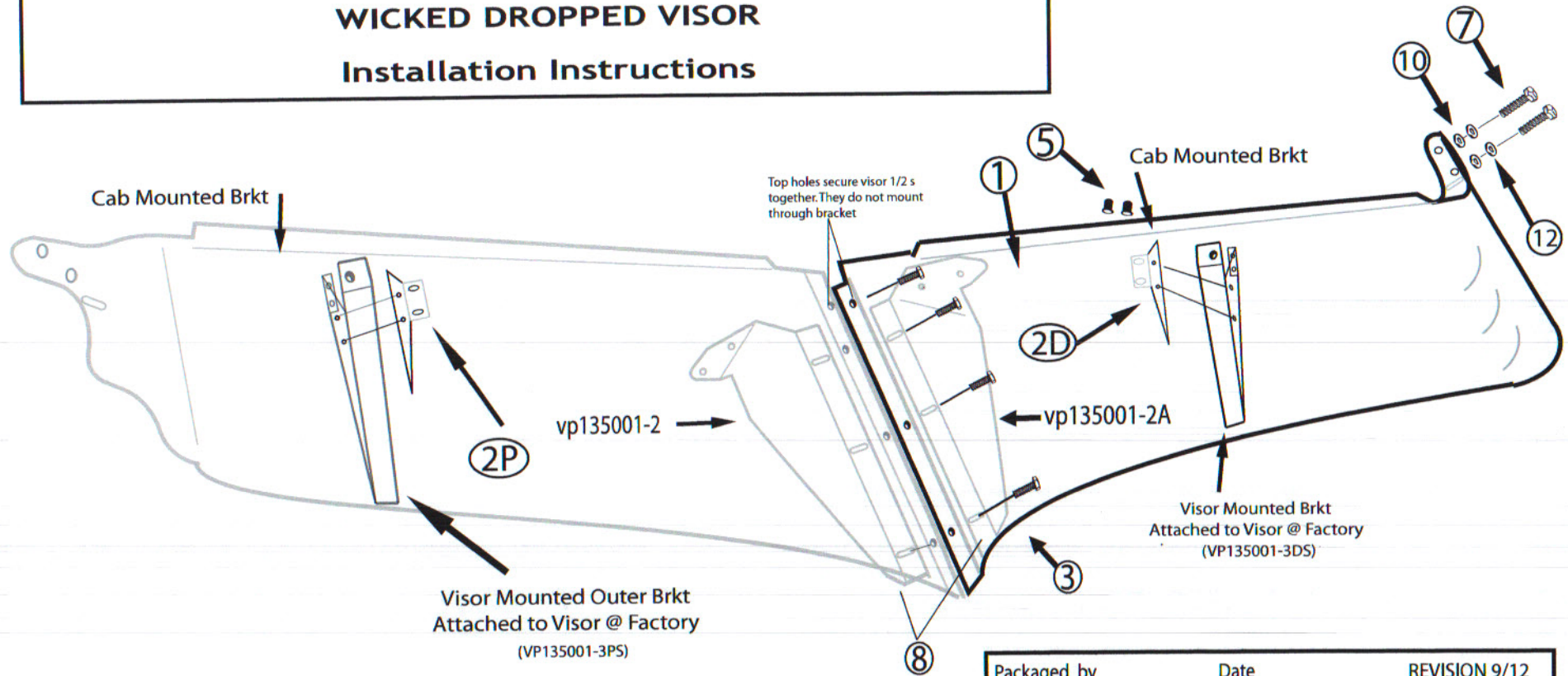
Steps:

- 1) Outer brackets are attached to visor body halves @ factory. (vp135001-3ds/vp135001-3ps)
- 2) Bolt visor halves together using center brackets (vp135001-2ds / vp135001-2ps).
-Do not tighten completely- You will need adjustment @ later steps.
- 3) Remove your current visor:
- 4) Grind off the heads of the Huck bolts.
 - a) Hold the existing brackets in place and take your time grinding Huck heads. If you grind too fast or hard it will melt the paint around the head. It is recommended that you only grind a little bit at a time.
- 5) Press the well nuts into the 1/2" holes. (See side view illustration).
- 6) Install the center & outer brackets onto truck cab per illustration. Once you feel the bolt "bottom out" STOP TIGHTENING.
- 7) Install the visor on the truck ends first.
 - a. Screw in a couple of turns the "side of cab bolts" through the holes in the end of the visor.
Use lock washers on bolts at visor end that mount directly to truck cab to prevent loosening due to normal road vibrations.
 - b. Start w/outer driver's brkt to temporarily hold in position.
 - c. Repeat w/passenger side.
- 8) Where the visors join together, bolt center brackets together (through holes) until finger tight.
- 9) Align the visor by snugly tightening the 2 pc brackets together at center bracket location.
- 10) Tighten all bolts securely.
- 11) Remove the PVC coating from the visor.
- 12) Wipe away fingerprints with window cleaner.

PETERBILT 359 STANDARD CAB VP135001

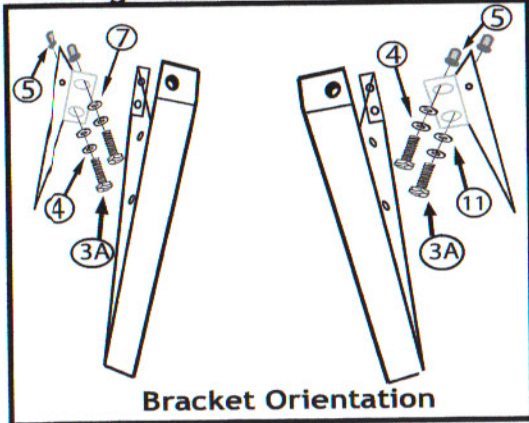
WICKED DROPPED VISOR

Installation Instructions

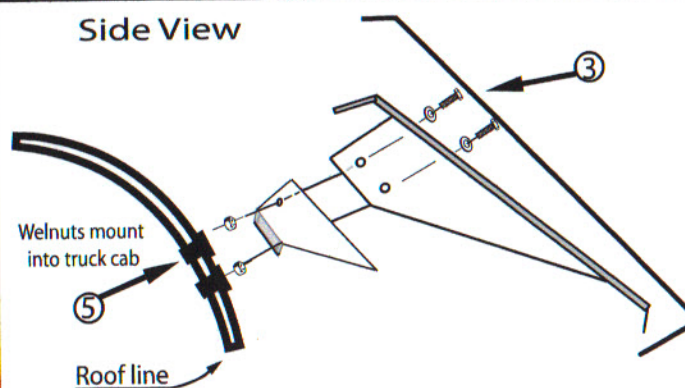


Passenger side

Driver side



Side View



Item	QTY	Description	Size/ Desc.
①	2	Visor body Halve	13.5" x 35"
②D	1	Outer Visor Bracket (VP135001-3 ds)	1 3/4" x 3"
②P	1	Outer Visor Bracket (VP135001- ps)	1 3/4" x 3"
③	8	Hex Head Bolt	1/4-20 x 3/4"
③a	8	Hex Head Bolt	1/4-20 x 1"
④	26	Washers	1/4-20
⑤	8	Rubber Welnuts	1/4-20
⑥	8	Lock Nut	1/4-20
⑦	4	Hex Head Bolt	5/18-18 x 1"
⑧	2	Center Visor Brkt (vp135001-2ds / vp135001-2ps)	14" x 4"
⑨	4	Rivnuts	5/16
⑩	4	Lock Washers (Ear mount)	5/16"
⑪	8	Lock Washers (Cab wellnut mount)	1/4
⑫	4	Washers	5/16"
⑬	1	Rivnut tool	5/16"