

Installation of Front Cover-up Hub Covers for 33mm Hub Piloted Wheels • Model RW1013-013HK • Bracket RW013HFK

VERY IMPORTANT!

Read And Understand These Steps Before Installation.

- Front Set Kit Model Number: RW1013-013HK
- Bracket Model Number: RW013HFK (Includes 2 brackets)
- Over-the-Lug Mounting for 33mm hub piloted wheels
- Patented

NOTE: Make sure the bracket is positioned on the wheel with the front of the bracket facing out.

TOOLS NEEDED

1/2" Open End Wrench, Phillips Screwdriver



FRONT OF BRACKET



BACK OF BRACKET

Step 1. Placing Bracket Onto Wheel Studs

Loosen the 5/16" bolt on the side of the Wedge Lock Bracket enough so it will slide onto two of the wheel studs. (See Figs. A1 & A2) Then place the Wedge Lock Bracket with front side of bracket facing out (see photo above) onto two of the wheel studs until it rests on top of the wheel lug nuts. (See Fig. A3)

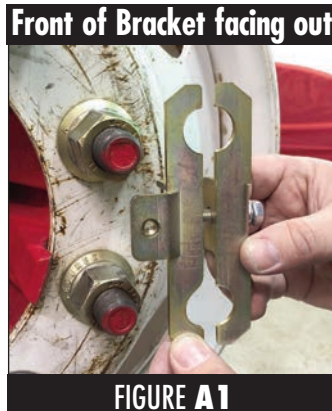


FIGURE A1

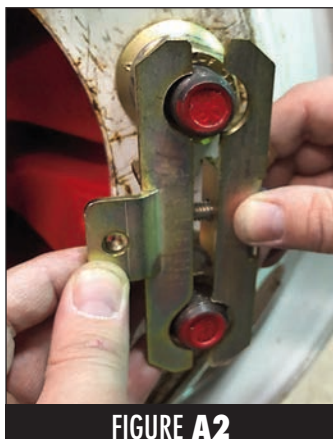
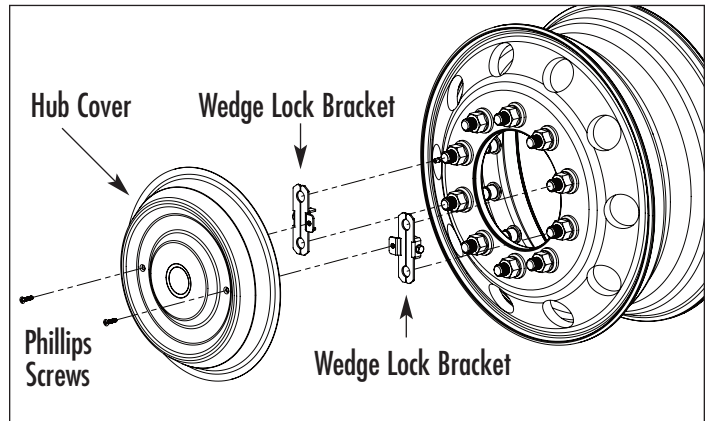


FIGURE A2



FIGURE A3



INSTALLATION AND PARTS OVERVIEW

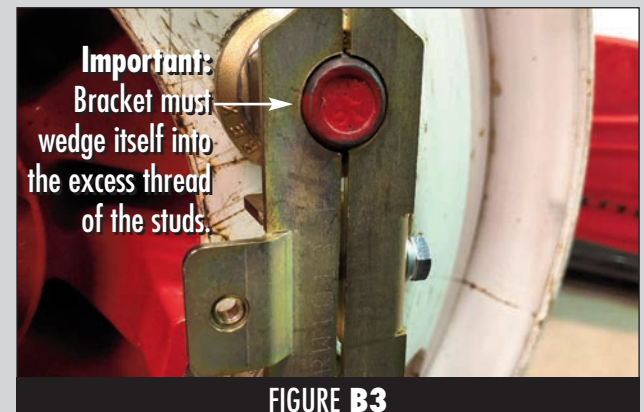
NOTE: Your wheels must have a minimum of 1/4" of excess stud sticking out past the wheel lug nuts. RealWheels recommends a minimum of 1/4" of excess stud sticking out past the wheel lug nuts. (See Fig. B1) When installing the bracket on wheel lug nuts with a minimum excess stud, bracket must engage completely into the stud threads. (See Figs. B2 & B3)



FIGURE B1



FIGURE B2



Important: Bracket must wedge itself into the excess thread of the studs.

FIGURE B3

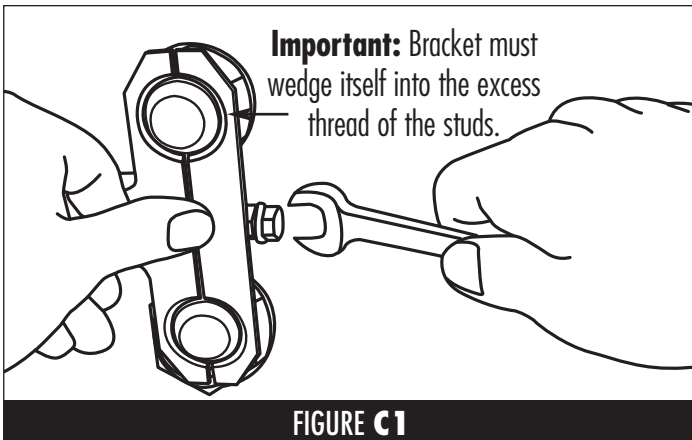


FIGURE C1



FIGURE C2

Step 2. Tightening Bracket Onto Wheel Studs

Push and hold against the bracket making sure it is firmly on top of the wheel lug nuts. (See Fig. C1) Then hand tighten the 5/16" bolt to bring the two halves of the bracket closer together, and wedging itself into the excess thread of the studs. **NOTE:** One side of the bracket may raise up a little depending what thread of the stud it wedges into, this is normal.

Next with a 1/2" open end wrench begin tightening the 5/16" bolt. (See Fig. C1) Make sure the bracket is flat across the face and wedging into the threads of the wheel studs, continue tightening until the wedge lock bracket is securely tight. Repeat Steps 1 and 2 for second bracket exactly opposite of first bracket. (See Fig. C2)

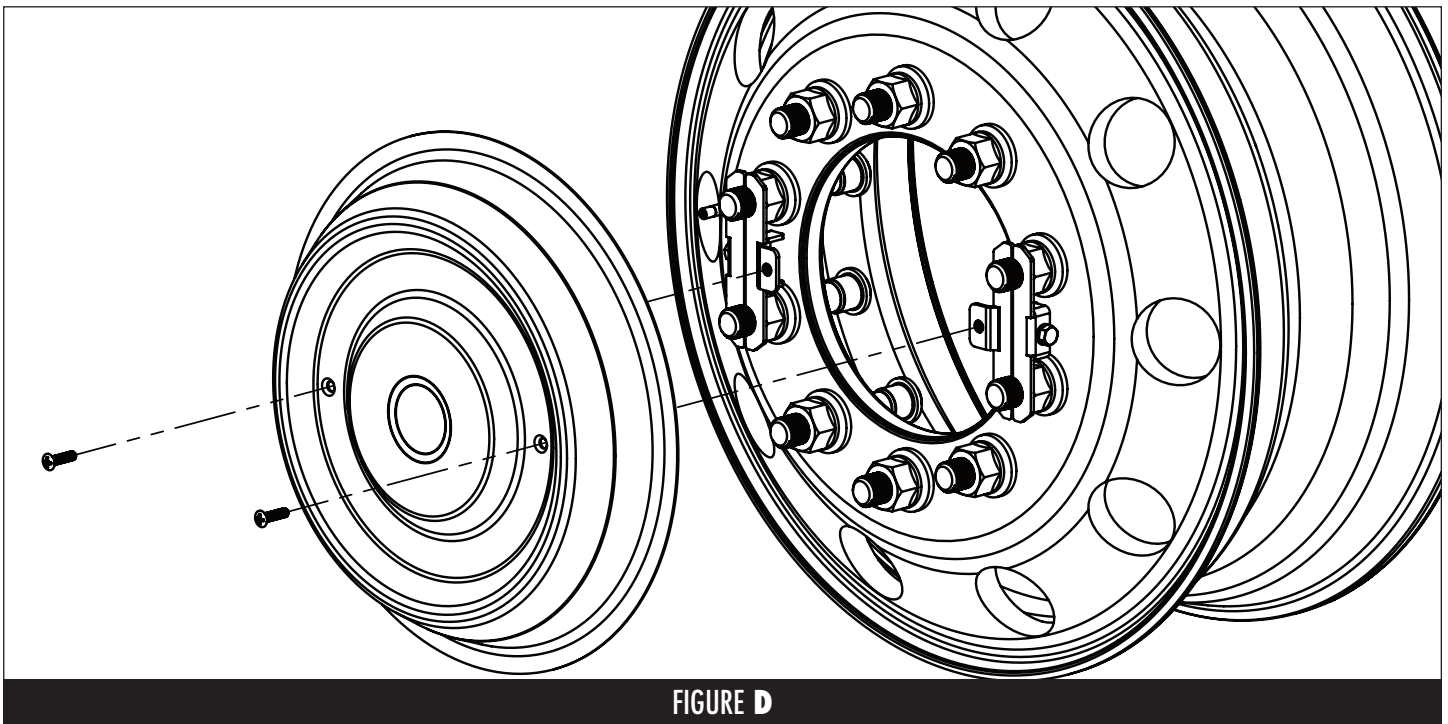


FIGURE D

Step 3. Installing The Hub Covers

Align the hub cover with the two threaded nuts of each bracket. (See Fig. D) Then place the phillips head screws into the holes of the hub cover, and alternate tightening them into the threads of the brackets until the hub cover is securely tight to the wheel.

IMPORTANT: We recommend that the hub covers are checked and inspected periodically to make sure that they are tight and secure to the wheels. If necessary retighten the mounting bolts and screws.

Reverse Steps For Removal

RealWheels Corporation • 3940 Tannahill Drive • Gurnee, IL 60031

847-662-7722 • Fax 847-662-7744 • www.realwheels.com • info@realwheels.com • toll-free 1-800-982-1180