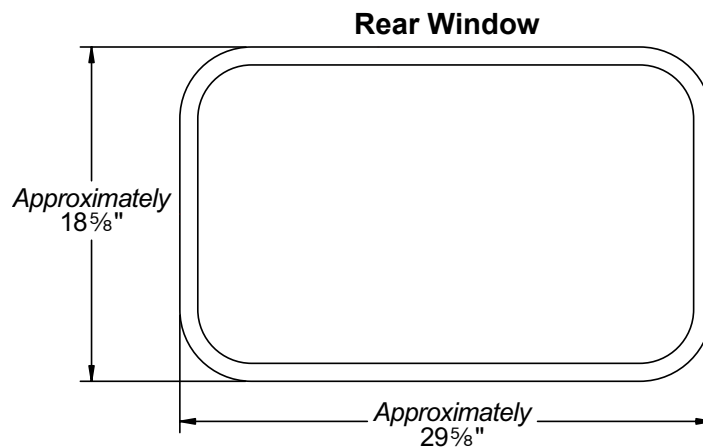


Kenworth Louver-style Sleeper Rear Window Shade (8 Louvers) *Part number 45450*

Before beginning the installation of your new RoadWorks® rear window drop visor please verify the size of your truck's rear window, see the diagram below. If your rear window does not match the diagram, then you may not have the correct part. Call RoadWorks® Manufacturing, Inc. at 1-800-448-8741 for assistance in determining the correct part number. Please have the model, year, and size of the rear window of your truck ready when calling.



PLEASE READ THE DIRECTIONS COMPLETELY BEFORE BEGINNING.

Installation

1. Remove the PVC film from the mounting brackets. Do **NOT** remove the PVC film from the louvers until step #6.
2. Arrange the louvers and brackets on a flat surface (see Diagram #1). The oval slots on the brackets should point inward (see Diagram #2). Secure the 8 louvers tightly to the brackets using the provided 1/2" carriage bolts, flat washers, lock washers, and nuts.
3. Hold the assembled window shade over the window in the desired location (see Diagram #4). Mark the holes through the oval slots for drilling.
4. Drill 1/2" holes on the marked locations, being careful not to damage the interior of the sleeper.
5. Install the assembled window shade over the window using the provided hex bolts, flat washer, lock washer, and 3/4" neoprene well nut (see Diagram #3). Fully tighten these four bolts.
6. Peel PVC film from the louvers. This completes the installation.

Kenworth Louver-Style Rear Window Shade (8 Louvers) For Rear Sleeper Windows

HARDWARE

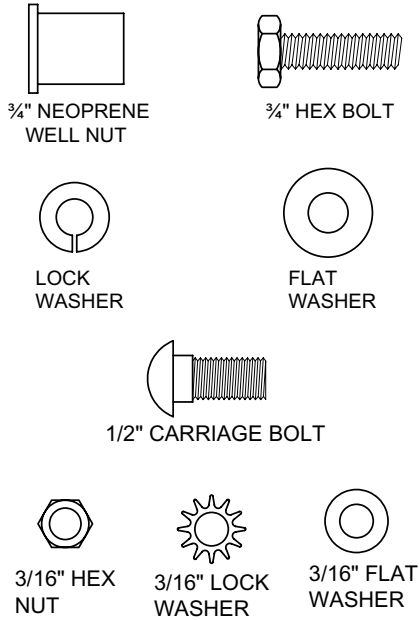


DIAGRAM #1



DIAGRAM #2

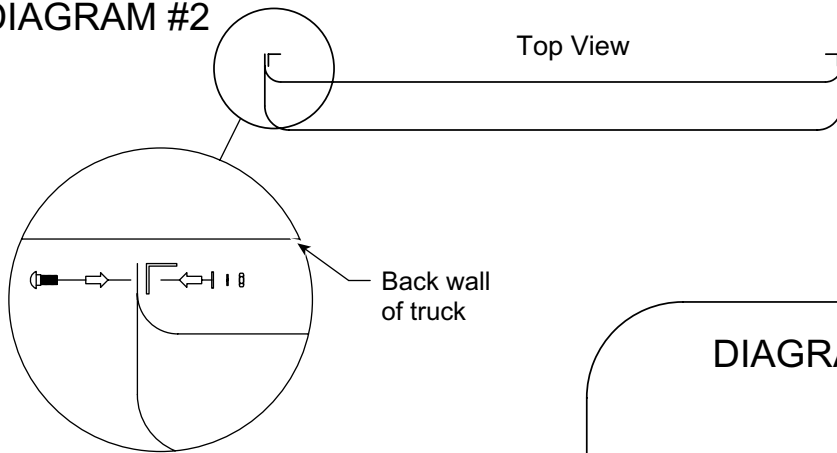


DIAGRAM #3

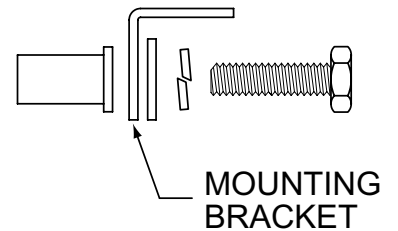


DIAGRAM #4

