

Kenworth W900 Grill with Horizontal / Louver-Style Bars

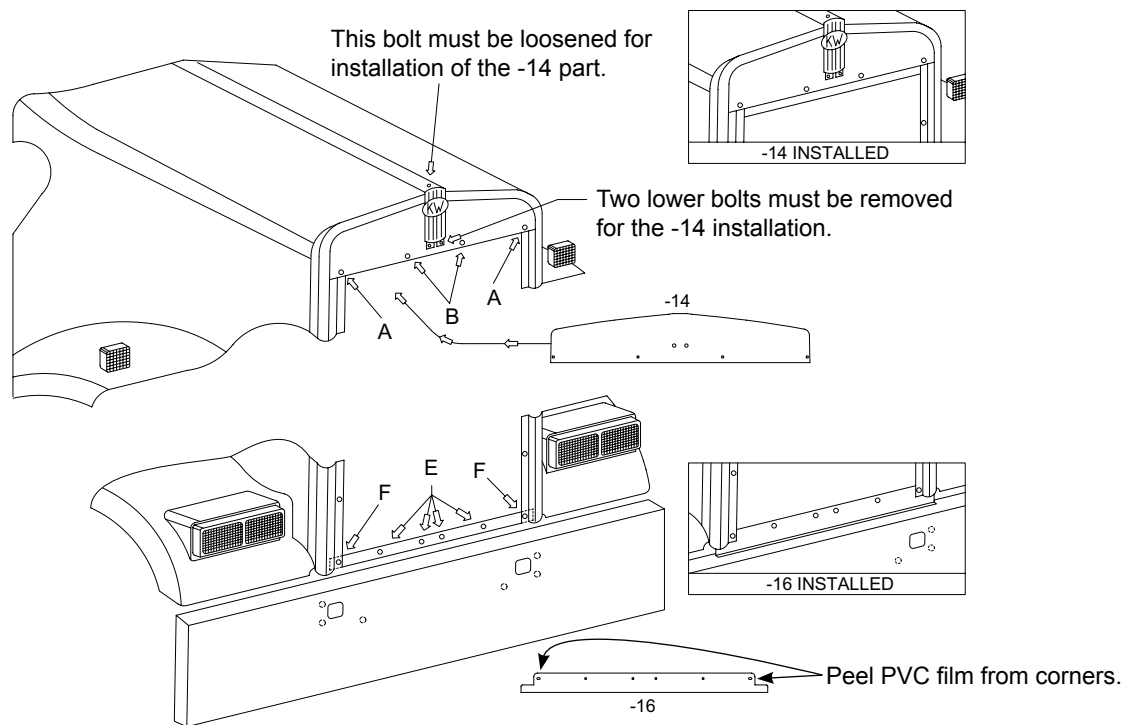
Part number 45101, 45102, 45201, 45202

Before beginning the installation of your new RoadWorks® grill please verify using the box label that the grill you have purchased is for your model of truck. If the model of your truck does not match the description on the box label, call RoadWorks® Manufacturing, Inc. at 1-800-448-8741.

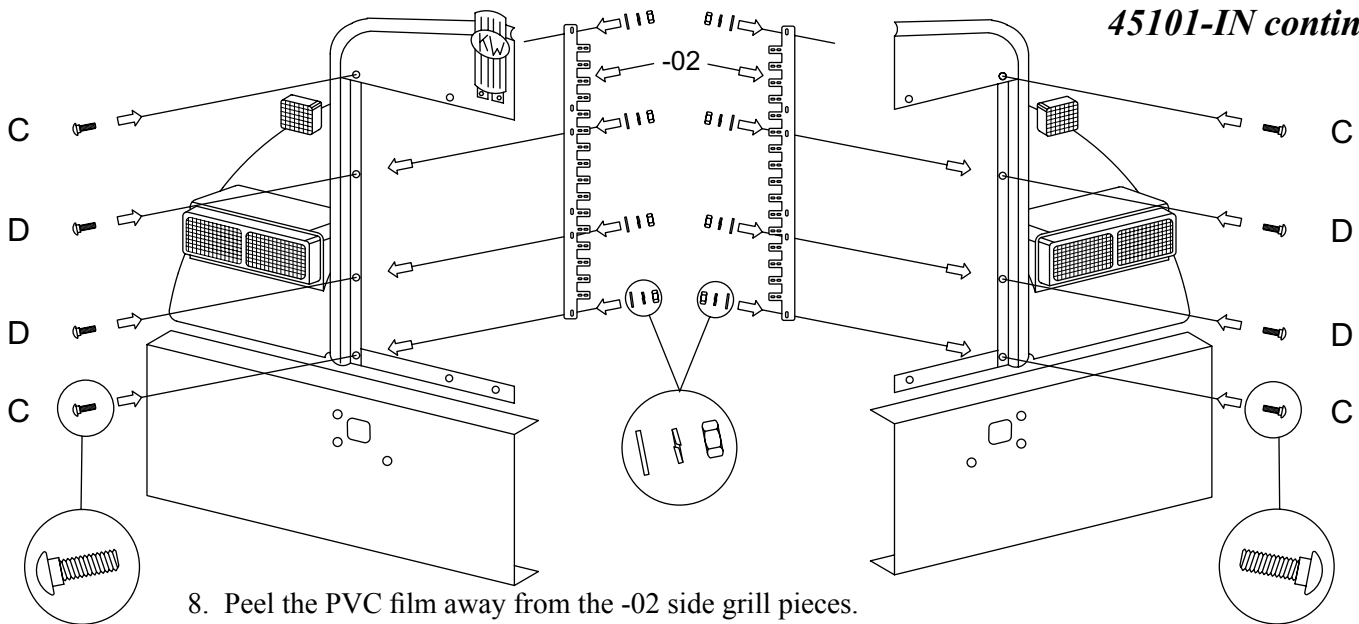
PLEASE READ THE DIRECTIONS COMPLETELY BEFORE BEGINNING.

Installation

1. Arrange the grill bars and surround pieces on a flat surface. The part numbers for the surrounds are etched on the parts and should be arranged as follows: -14 is the upper grill piece, -16 is the lower grill piece, two of the -02 are the side grill pieces. Make sure you have the correct number of grill bars for the tabs on the surround. You should also have two -03 and two -04.
2. Carefully remove the factory inner grill and screen, the screen will be reinstalled behind the replacement grill later.
3. On the upper grill piece (-14), peel the PVC film away from the bolt holes and away from the top center area (this area will go under the logo hood pull).
4. Loosen the top bolt and remove the two front lower bolts of the logo hood pull. Slip the -14 part under the logo hood pull and in front of the factory upper grill piece. Reinstall the two lower bolts of the logo hood pull, do not fully tighten these bolts. The two lower corner holes must be lined up with the factory holes.
5. Using a $\frac{5}{16}$ " bit, drill the factory upper grill through the holes located at "B" (see diagram below.) Insert two $1\frac{1}{4}$ " carriage bolts into the holes at "B" and two $\frac{3}{4}$ " carriage bolts into the holes at "A," secure with flat washers, lock washers, and hex nuts. Do not fully tighten these bolts.



6. On the lower grill piece (-16), peel the PVC film away from the lower right and left corners.
7. Remove the chrome factory lower grill piece and replace with the -16 part (see diagram above). Insert four $1\frac{1}{4}$ " carriage bolts into the holes at "E" and two $\frac{3}{4}$ " carriage bolts into the holes at "F," secure with flat washers, lock washers, and hex nuts. Do not fully tighten these bolts.



8. Peel the PVC film away from the -02 side grill pieces.

9. To install the two -02 side pieces of the grill, hold the -02 parts, shiny side to the front, tabs toward the center. Line up the holes on the -02 part with the existing holes on the truck (you will not use two of the holes on each -02 side piece).

10. Remove the hex nuts, flat washers, and lock washers from the top and bottom corners of the grill (see "C" in diagram) and install the -02 parts. Do not fully tighten the hex nuts. Insert 1 1/4" carriage bolts, flat washers, lock washers, and hex nuts into the holes of the -02 part (see "D" in diagram). Do not fully tighten these bolts.

11. Peel the PVC film away from the bolt holes at the ends of all the grill bars.

12. Using 1/2" carriage bolts, flat washers, lock washers, and hex nuts, install only the top and bottom grill bars to ensure proper placement of the previously installed -02 side grill pieces.

13. Fully tighten all the carriage bolts on the grill surround pieces (-14, -16, -02) and the grill bars.

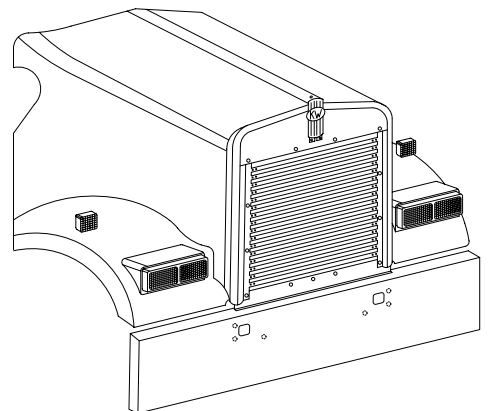
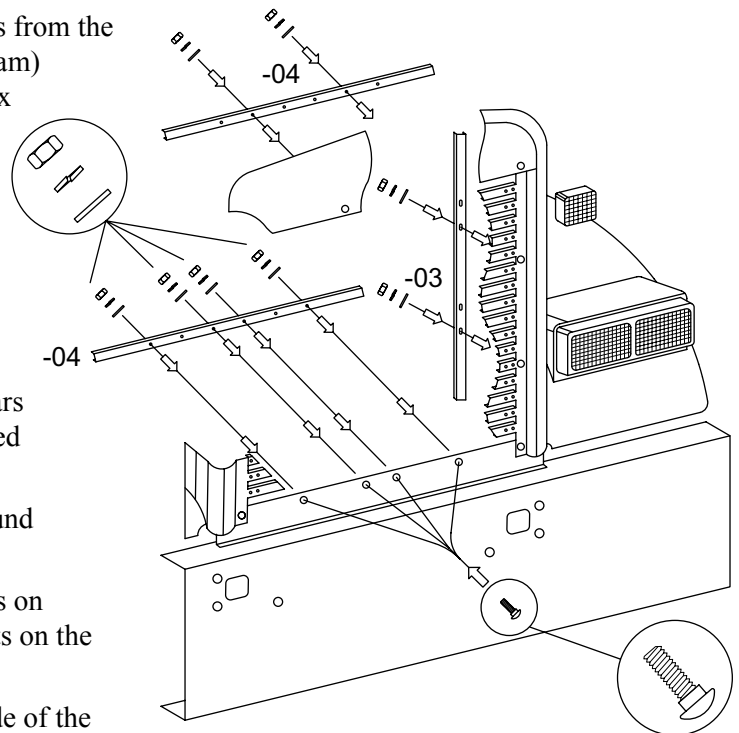
14. Install the remaining grill bars (fully tighten all bolts on each bar as they are installed). At this point, all bolts on the grill should be fully tightened.

15. Lower the hood and place the screen on the back side of the replacement grill, the holes in the screen should go over the recently installed bolts from step #5, #7, and #10.

16. Peel the PVC film from the two -03 and the two -04 parts.

17. Using flat washers, lock washers, and hex nuts, attach the two -04 top and bottom grill pieces and the two -03 right and left grill pieces to the new bolts along the grill surround (see diagram above).

18. Fully tighten all bolts and peel the remaining PVC film from your grill. This completes the installation of your new RoadWorks® grill.



*Thank you for choosing RoadWorks
stainless steel accessories!*