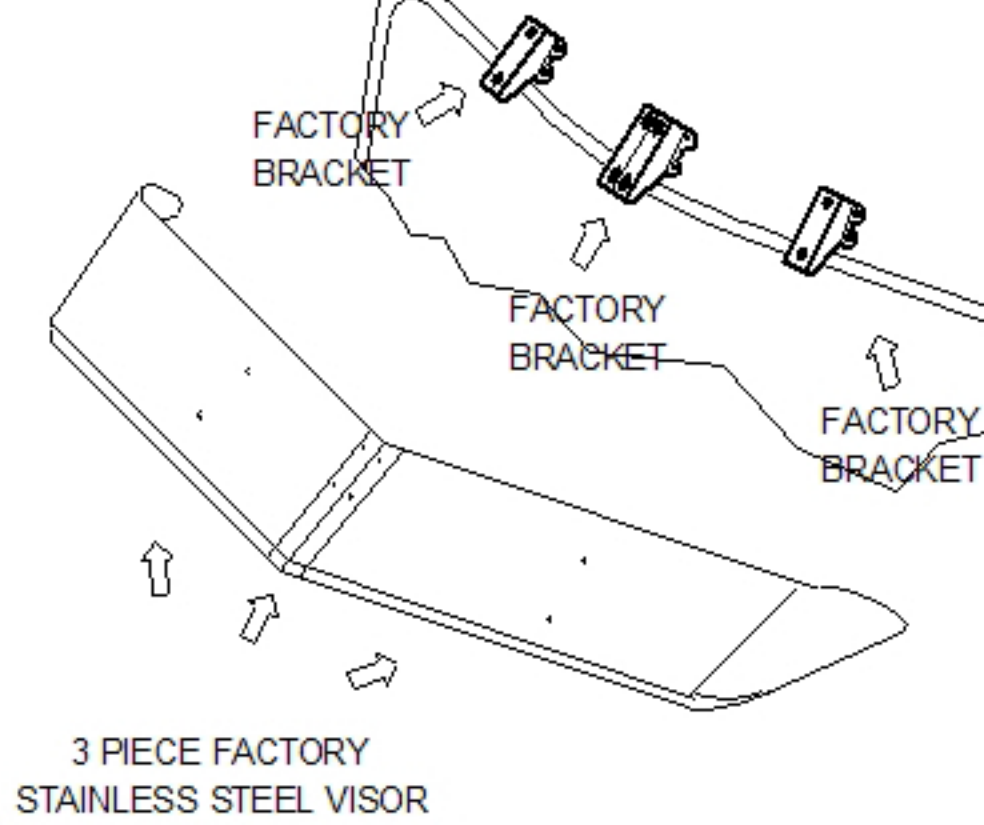
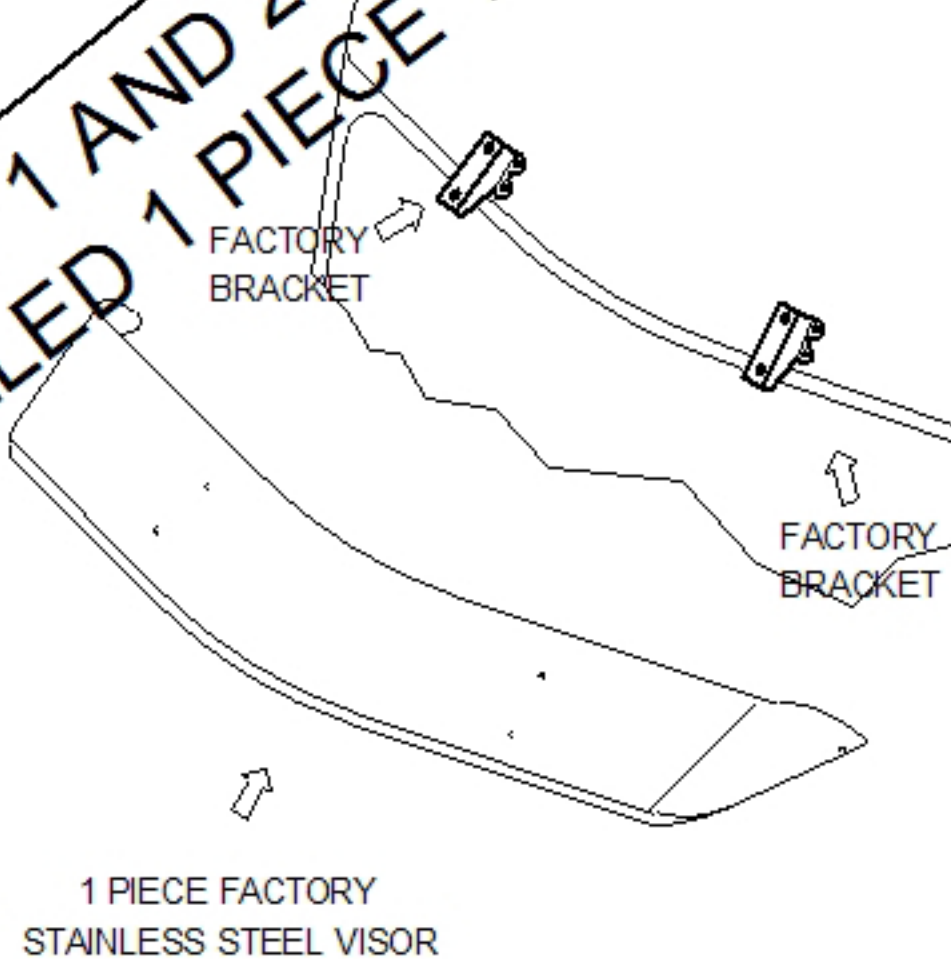


FITS 1 AND 2 PC WINDSHIELD WITH
FACTORY INSTALLED 3 PIECE VISOR WITH 3 BRACKETS

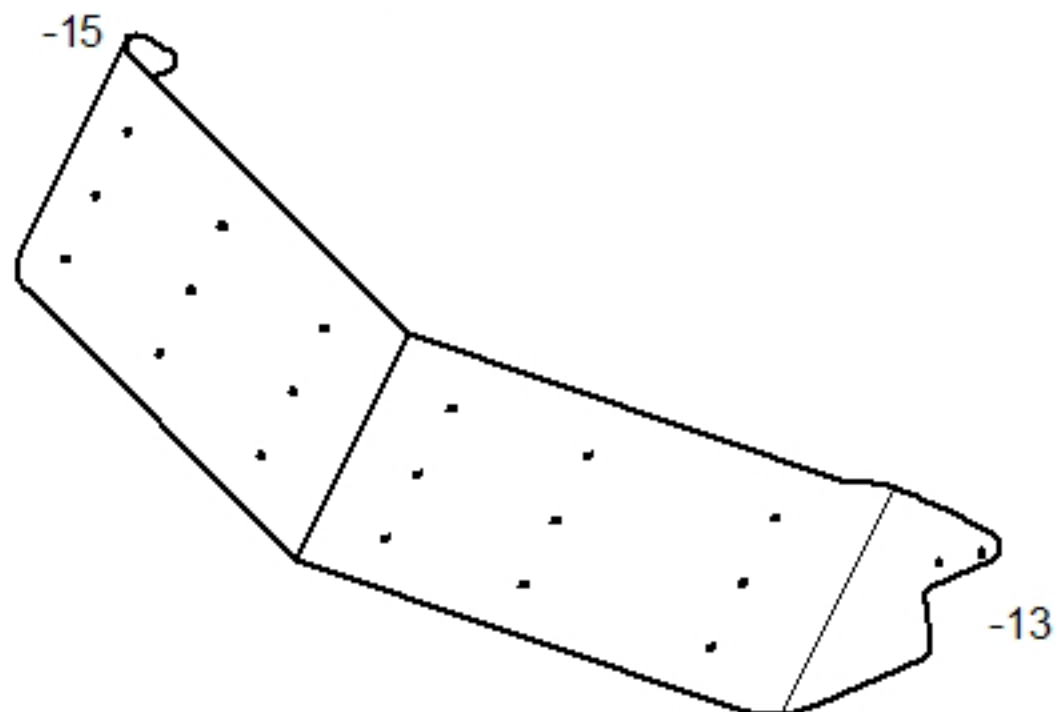
YOUR TRUCK SHOULD
LOOK LIKE THIS



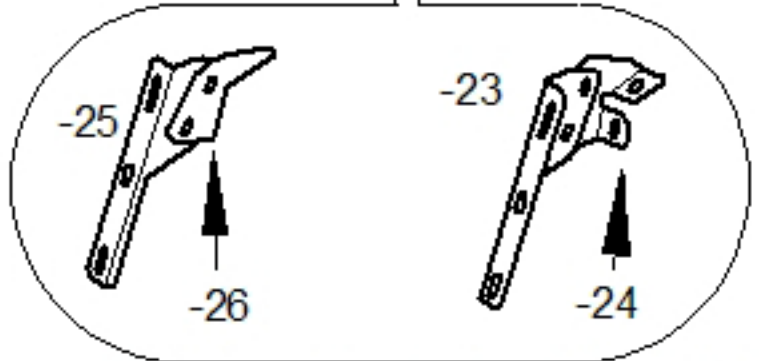
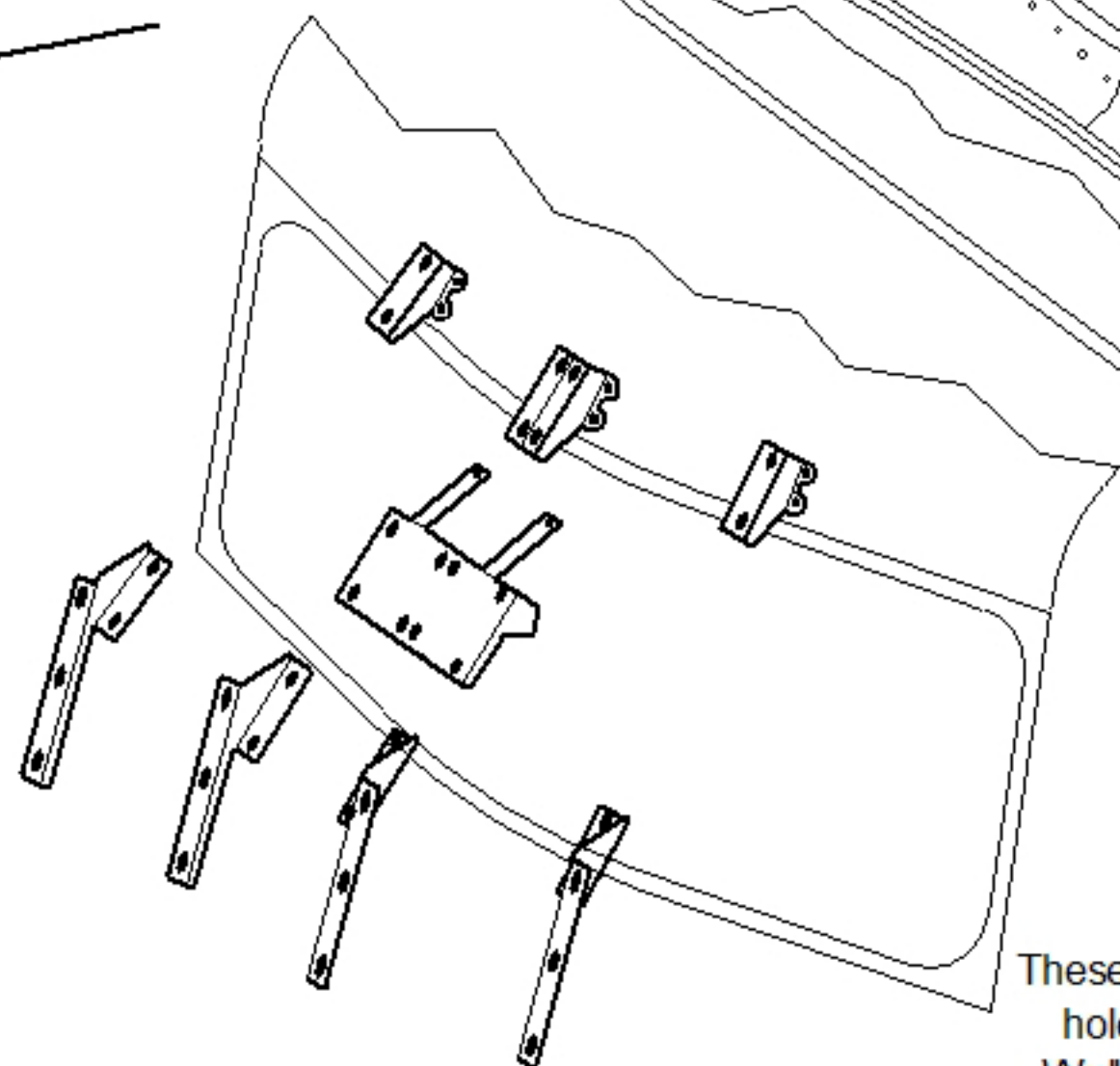
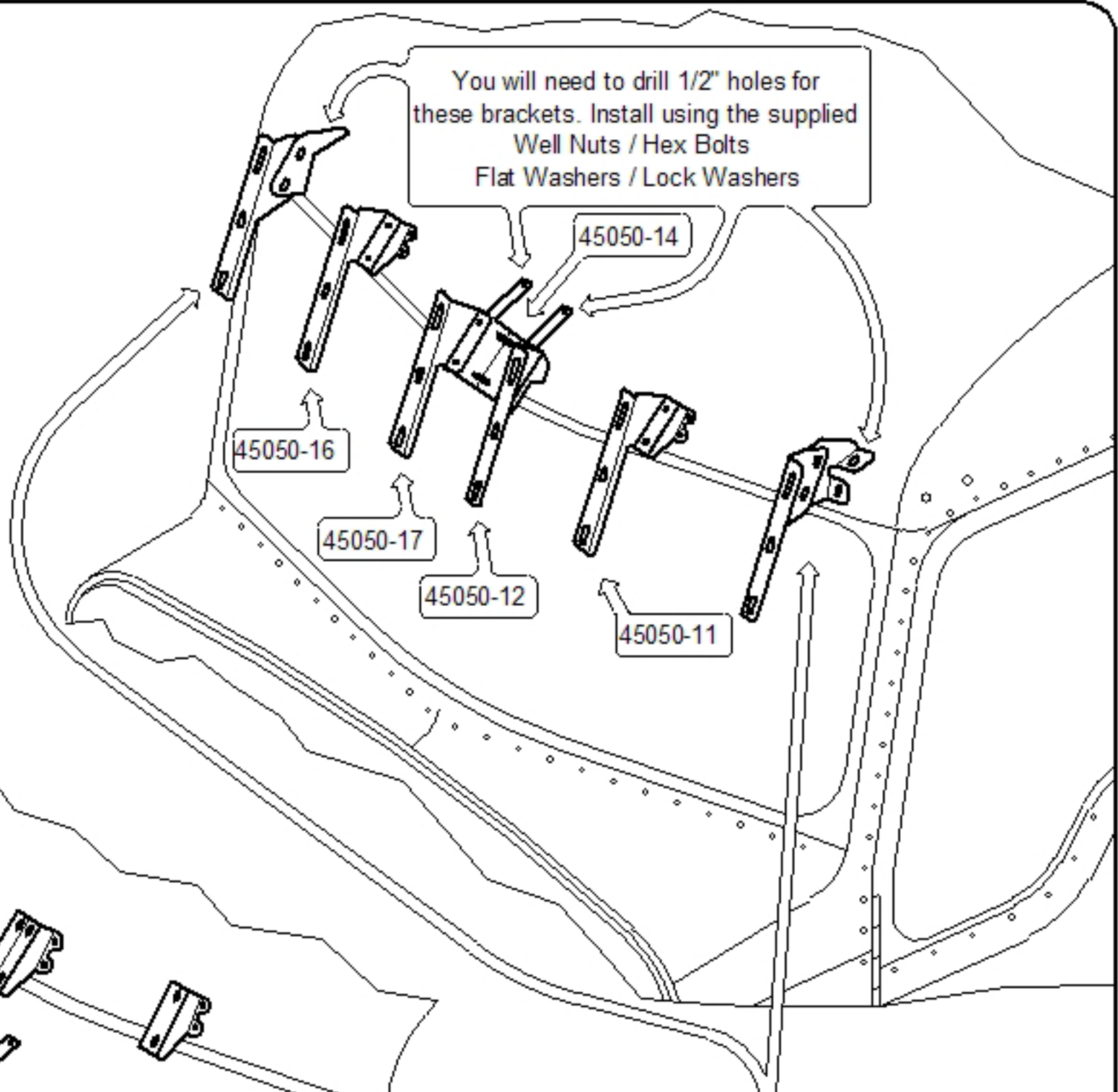
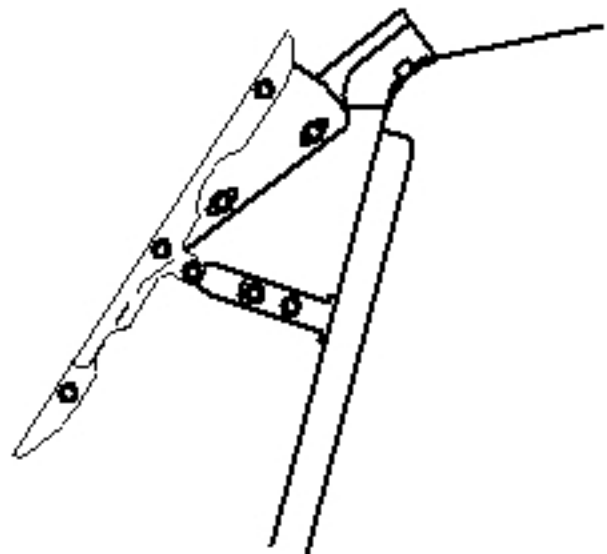
DOES NOT FIT 1 AND 2 PC WINDSHIELD WITH
FACTORY INSTALLED 1 PIECE VISOR WITH 2 BRACKETS



13" DROP VISOR FOR 1 & 2 PIECE CURVED WINDSHIELD KENWORTH 2006 & EARLIER.
REPLACES FACTORY 2 PIECE STAINLESS STEEL VISOR WITH 3 BRACKETS.
DOES NOT FIT TRUCKS WITH FACTORY FIBERGLASS VISOR.



SIDE VIEW OF STABILIZER
(RESTS ON WINDSHIELD)



These are additional brackets. You will need to drill 1/2\" holes for these brackets. Install using the supplied Well Nuts / Hex Bolts / Flat Washers / Lock Washers