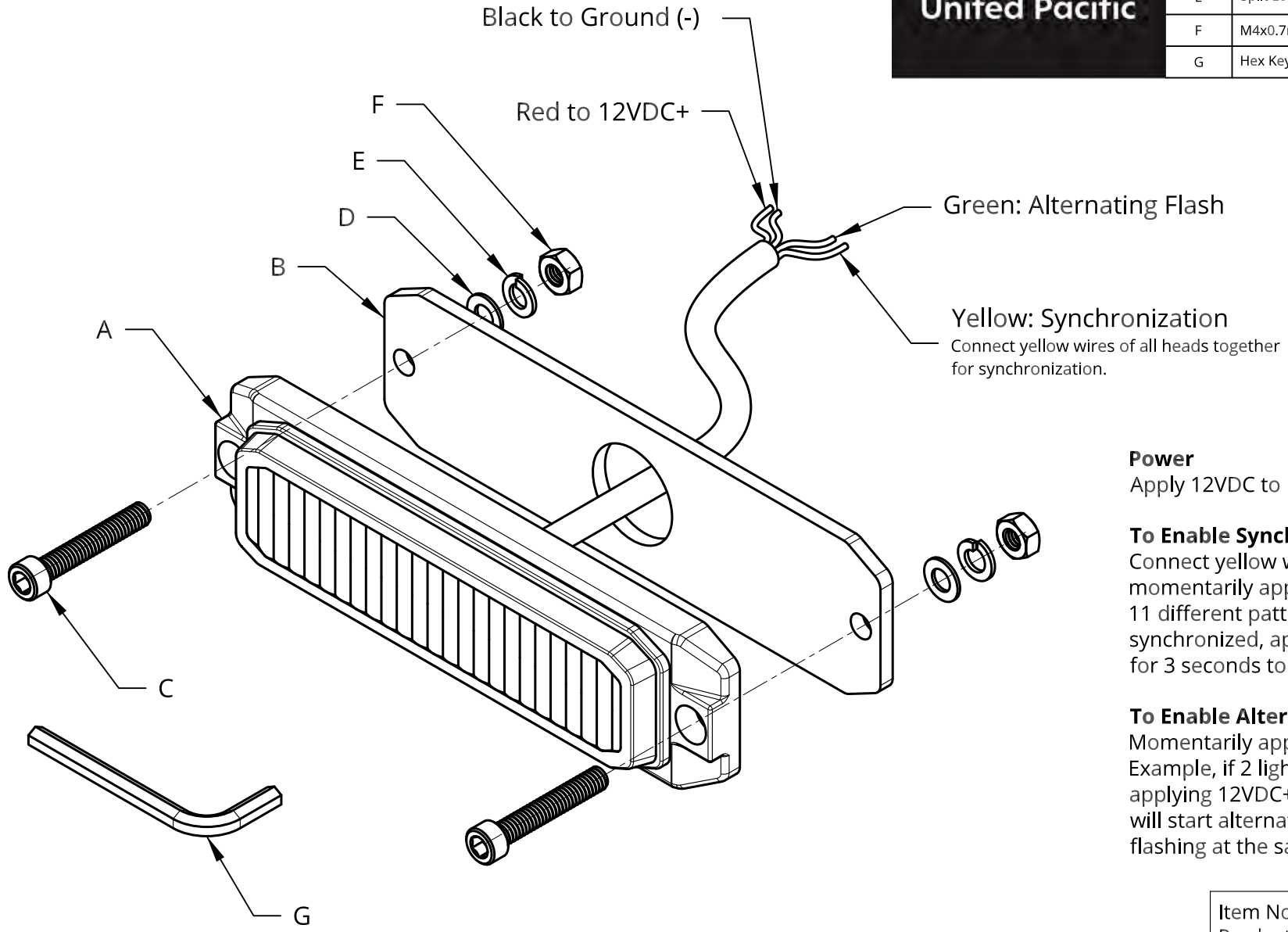




United Pacific

No.	DESCRIPTION	QTY /Kit
A	LED Warning Light Unit	1
B	Black EVA Form Gasket	1
C	M4x0.7mm, 25mm Socket Head Screw	2
D	Flat Washer For M4 Screw	2
E	Split Lock Washer For M4 Screw	2
F	M4x0.7mm Hex Nut	2
G	Hex Key For M4 Socket Head Screw	1



**Power**

Apply 12VDC to Red (+) and Black (-) wires.

**To Enable Synchronized Flash**

Connect yellow wires together, and momentarily apply 12VDC+ to cycle through 11 different patterns. If lights are not synchronized, apply 12VDC+ to yellow wires for 3 seconds to reset all to same program.

**To Enable Alternating Flash**

Momentarily apply 12VDC+ to green wire(s). Example, if 2 lights are flashing together, applying 12VDC+ to green wire of one light will start alternating flash rather than flashing at the same time.

Item No. 39161-39165  
 Product Name: 6 High Power LED  
 "Competition Series" Slim Warning light