

# Installation Instructions



COPYRIGHT ROADWORKS MFG, INC.

I - Sheet Number <PETERBILT 579 DAYCAB - 38135 >

For proper installation and best possible fit, please read all instructions **BEFORE** you begin.  
For technical assistance or to obtain missing parts, please call Customer Relations at 1-800-448-8741.

## Important Safety Information

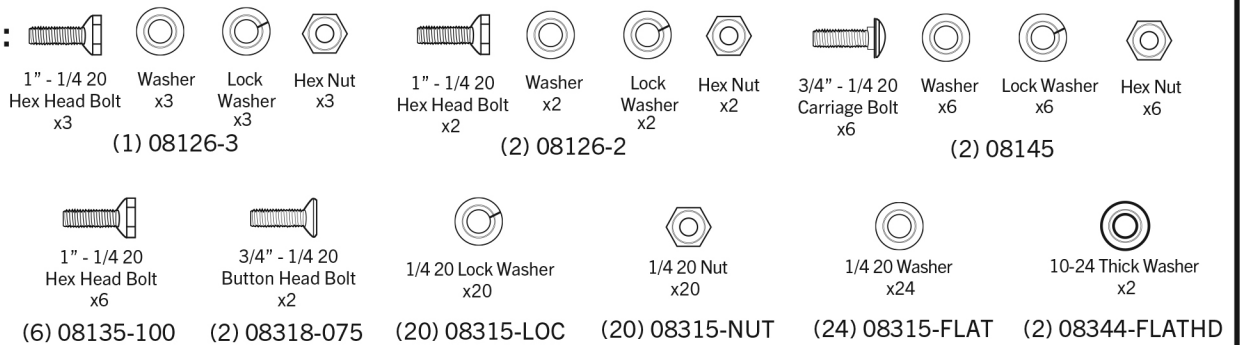


- **CAUTION** - Before installation ensure proper safety precautions have been made prior to installing this product at heights that require a raised elevation requiring use of a ladder or step stool.

## Contents

NOTE: Actual product may vary from illustration. Not to Scale

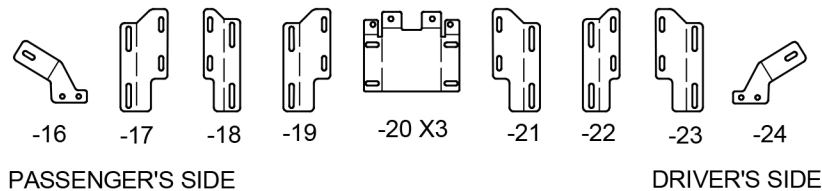
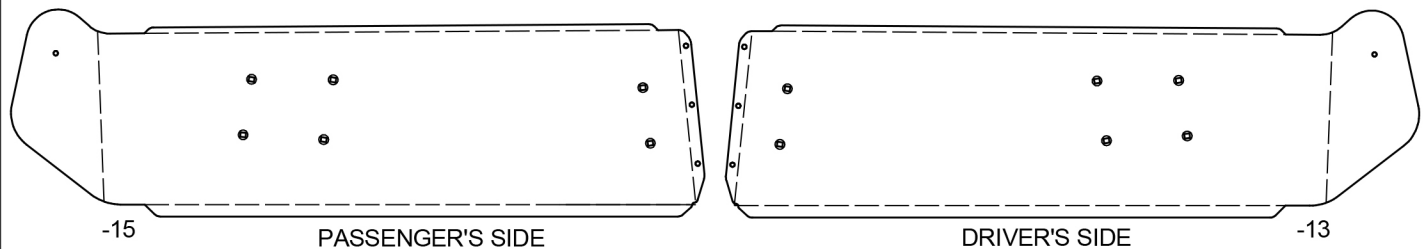
### Hardware:



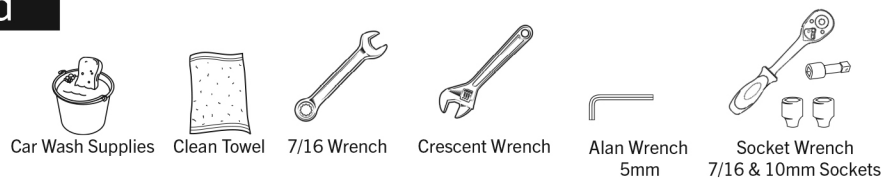
## Contents

NOTE: Actual product may vary from illustration. Not to Scale

### RoadWorks Product:



## Tools Required



# Installation Steps

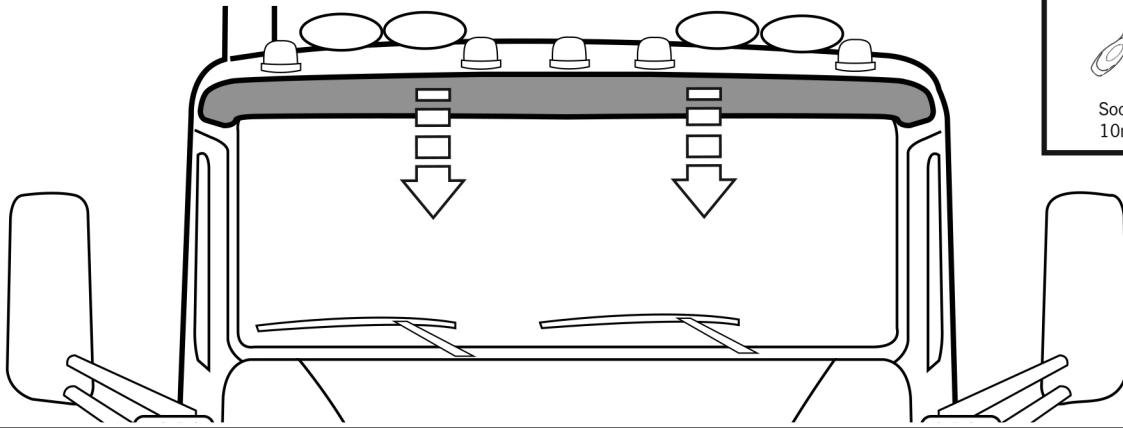
NOTE: Actual application may vary slightly from illustrations.

If applicable. Remove the existing visor on your truck using a 10mm Socket and set aside.



Socket Wrench  
10mm Socket

1



Install bracket -20 (x3) onto the existing factory visor mounts using hardware kit (08315-100) plus flat, lock washers, and nuts.

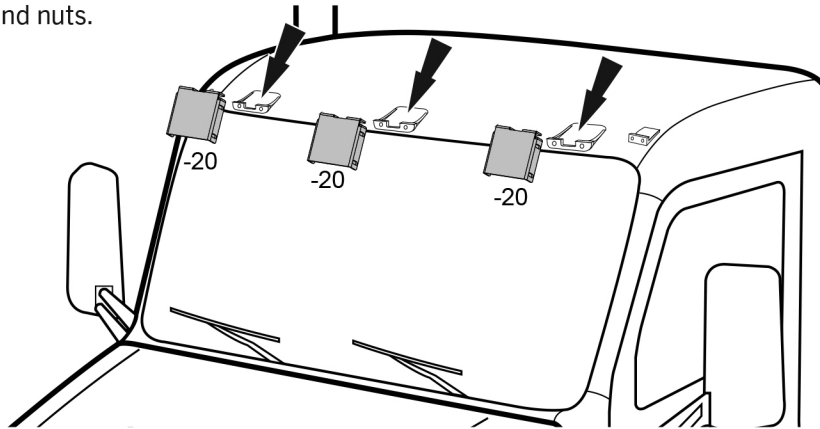


7/16 Wrench



Crescent Wrench

2



Install the Visor support brackets as shown using hardware kit (08126-2) for the outside brackets (-16, -24) to the existing factory brackets. Hardware kit (08316-075) will be used to mount brackets (-17, -18, -19, -21, -22, & -23) to the -20 bracket, along with flat, lock washers, and nuts.



Socket Wrench  
7/16 & 10mm Sockets

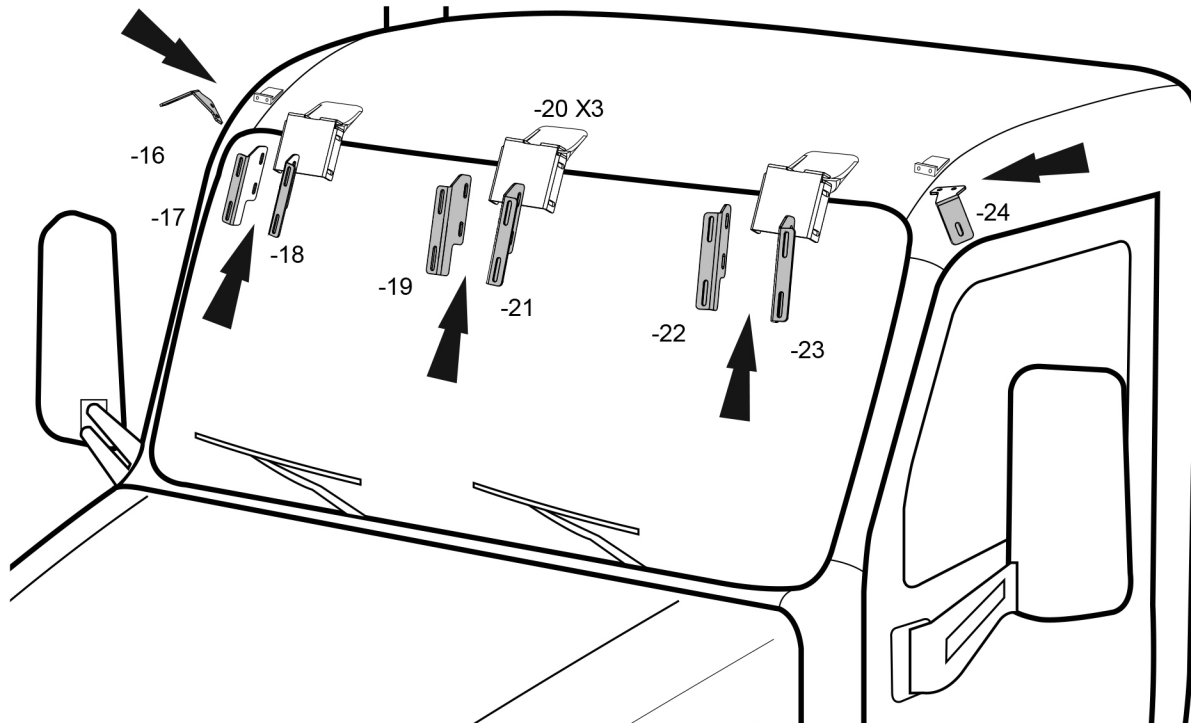


7/16 Wrench



Crescent Wrench

3

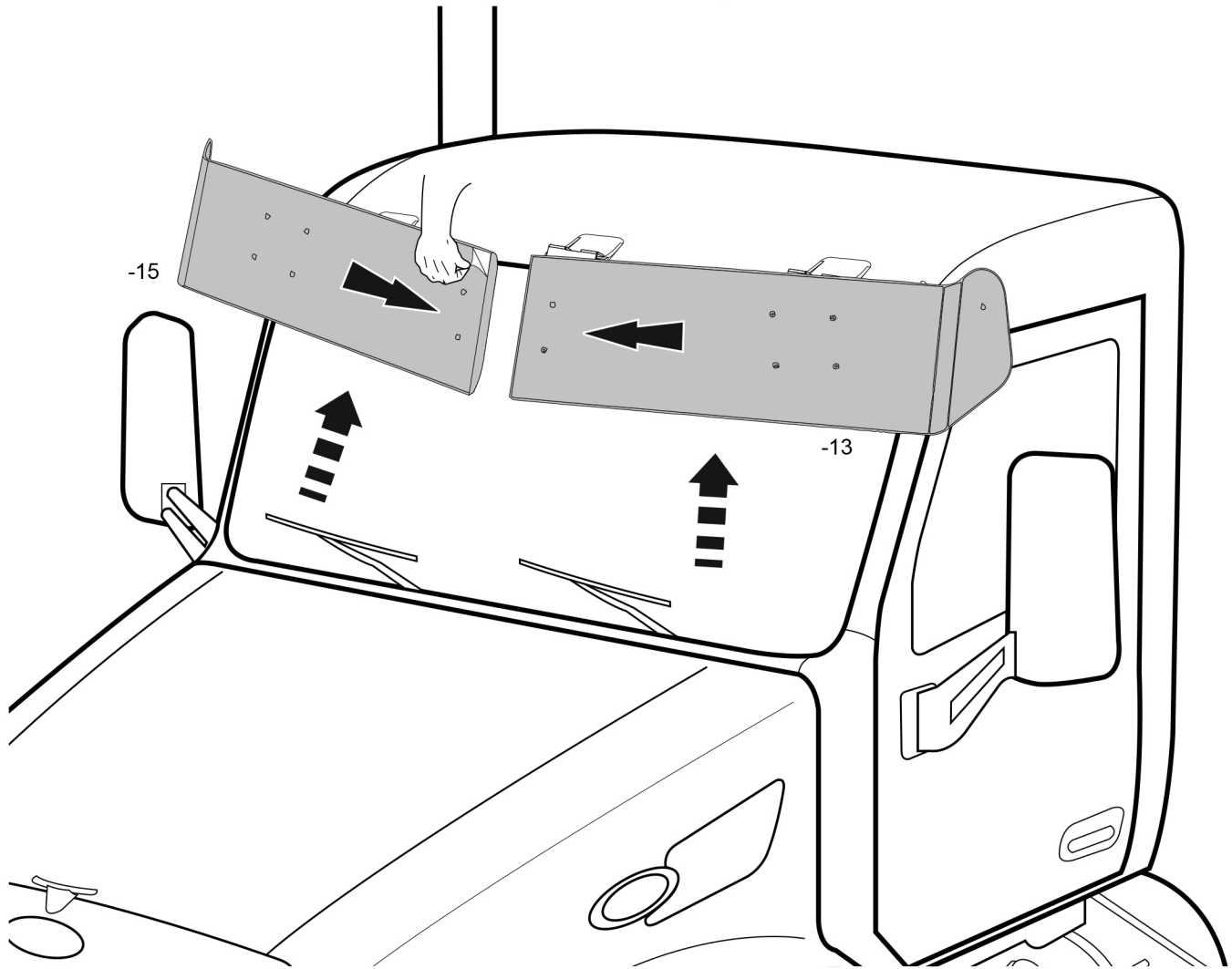
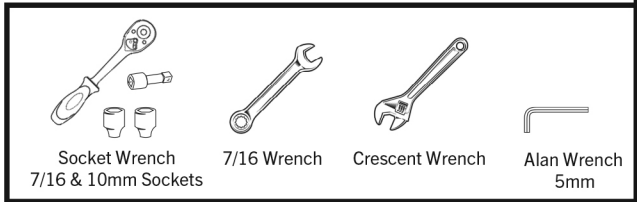


DRIVER'S SIDE

# Installation Steps

NOTE: Actual application may vary slightly from illustrations.

Remove the protective film at this point. Join the Visor skins (-13, -15) together first using hardware kit (08126-3) before attaching to the installed brackets. Next install the joined Visor, ensuring the Visor is lined up over the applicable visor support brackets using hardware kit (08145). The outside brackets(-16, -24) mount to the Visor skins using hardware kit (08318-075) along with flat, locking washers & nuts.



DRIVER'S SIDE

4

## Care and Cleaning

- Wash and polish your new Visor using RoadWorks premium Detail Products.



The material that your product is made from can be recycled. Please also consider recycling the packaging that your product came in.



## Congratulations!

You have purchased one of the many quality RoadWorks products offered by Truck Hero. We take the utmost pride in our products and want you to enjoy years of satisfaction from your investment. We have made every effort to ensure that your product is top quality in terms of fit, durability, finish and ease of installation.



RoadWorks MFG.

800-448-8741 • Visit us at [roadworksmfg.com](http://roadworksmfg.com)

© 2020 RoadWorks Mfg. All rights reserved

RoadWorks and the Roadworks logo are trademarks of Truck Hero.