



# INSTALLATION INSTRUCTIONS MODEL 897 • NEXGEN EXPRESS™

# NEXGEN EXPRESS™

NexGen Express is the perfect choice to complement your vehicle or vessel. Wolo's products are manufactured with the finest quality materials and every remote system is inspected and tested before being packaged. NexGen is built with state-of-the-art electronics, assuring years of reliable service. If you need help installing your Wolo horn, or have any questions, our technicians are available to answer your questions, Monday through Friday from 9 AM to 4 PM EST at 1-888-550-HORN (4676).

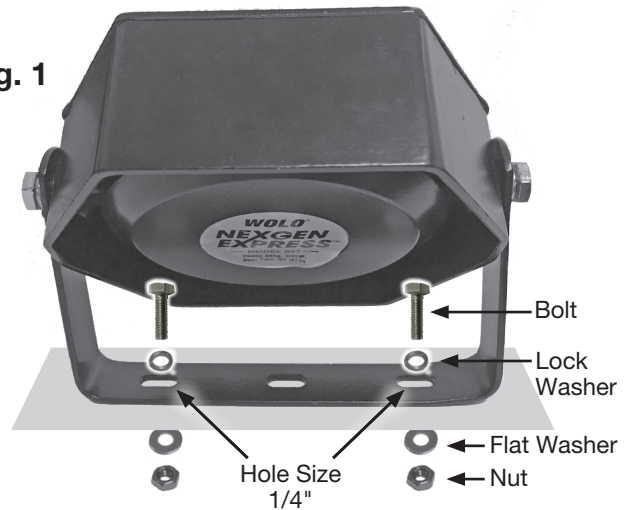
Before installation of the horn is attempted, it is important to read these instructions completely and note any messages marked "IMPORTANT" or "WARNING". A safe installation will prevent serious injury or damage to the vehicle. Installation of horn could require drilling to the vehicle. The installer must carefully inspect both sides of any location that will be drilled to ensure that there are no components, wires and or any vehicle parts that could be damaged when drilling.

**IMPORTANT:** Always refer to the vehicle's shop manual for the deployment location of the air bags. Never install the push button horn switch, amplifier and or wires in the deployment area of any air bag. Improper installation could reduce the effectiveness of the vehicle's air bag system and / or project an object that could cause serious personal injury or death to the driver or passenger. The user/installer assumes all responsibility to properly access a safe mounting location for the amplifier, horn button switch and / or wires, so to provide ultimate safety to the driver and passengers inside the vehicle.

## MOUNTING SPEAKER: Fig. 1.

1. Locate the desired mounting location for the speaker in the engine compartment. **NOTE:** then speaker can get wet, it is water resistant. **IMPORTANT:** to ensure maximum sound performance the front of the speaker should never be blocked.
2. Using the speakers swing bracket; mark two-hole locations and drill to size, 1/4".
3. Mount the speaker using the hardware provided.

Fig. 1



## MOUNTING AMPLIFIER: Fig. 2A and Fig. 2B.

**IMPORTANT:** The amplifier must be mounted on a metal surface which will protect the electronics of the amplifier by acting as a heat sink by reducing heat produced by the electronics when sounding the horn for long blasts. Make sure that the mounting surface does not get hot from normal vehicle operation.

4. Locate the desired mounting location for the amplifier. **IMPORTANT:** The amplifier should always be mounted in a dry location. If mounted in the engine compartment, make sure it is safe from engine exhaust heat and moving parts.
5. Use the amplifier's case as a template; mark the two mounting hole locations and drill to size, 13/64". See Fig.2A.
6. Mount and secure the amplifier using the hardware provided. See Fig. 2B.

Fig. 2A

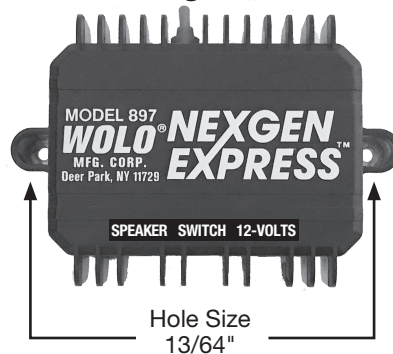
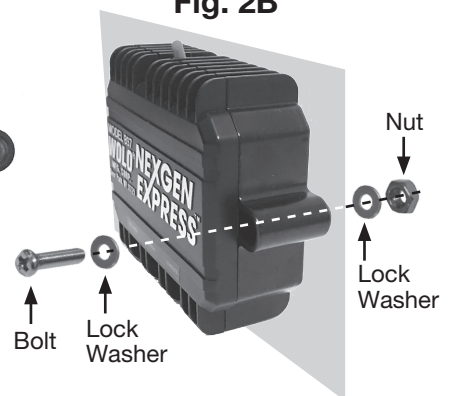


Fig. 2B



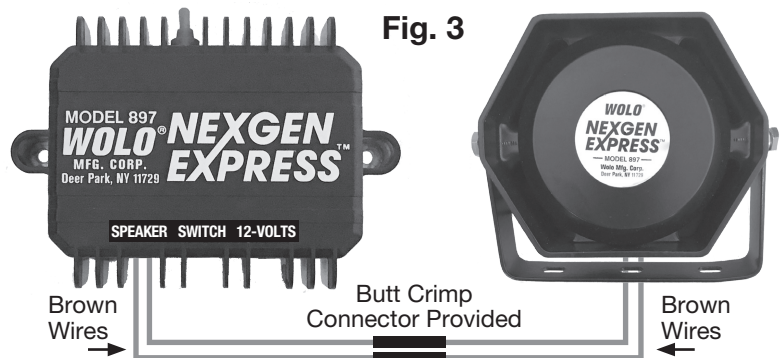
## WIRING:

**IMPORTANT:** Drilled holes that wires will be routed through, always de-burr and use the rubber grommet provided. This will ensure that there are no sharp edges that can cause shorts or failure of the horn..

## BROWN WIRES: Fig. 3

7. Connect the amplifier's two (2) brown wires to the speakers two (2) brown wires using the insulated butt crimp terminals. **NOTE:** If you need to lengthen the brown wires, use 18 gauge or heavier wire. To ensure dependable service and to prevent shorts, make sure all wire connections are made using the terminals provided and secure wires using the plastic wire ties provided.

Fig. 3



#### WHITE WIRES: Fig. 4

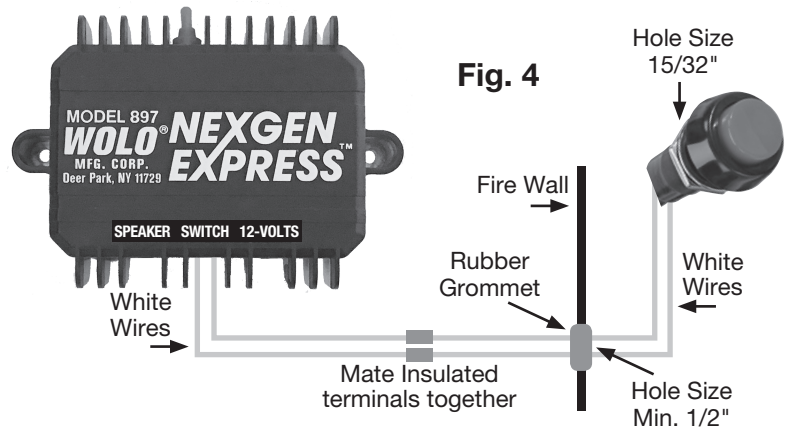
##### (Optional manual push button horn switch)

Included with horn is a heavy-duty prewired manual push button horn switch with white wire leads, the switch can be mounted to the dashboard or a convenient location that can be easily reached by the driver. If you wish to operate the horn only with the wireless key fob proceed to step number 15.

**IMPORTANT:** Locate the mounting location for the wired horn button switch so it can be easily reached in order to ensure the vehicle can be operated safely under all driving conditions.

**IMPORTANT:** The installer must carefully inspect both sides of the mounting location before drilling any holes to ensure that there are no components, wires and or any vehicle part that could be damaged.

8. Drill hole for mounting of the horn button switch, to size 15/32".
9. Secure the horn button switch by removing the collar nut, push switch through the drilled hole and secure in place by tightening the collar nut back onto the switch.
10. The two (2) white switch wires need to be routed to the amplifier. If the amplifier was mounted in the vehicle's engine compartment, it will require a minimum 1/2" hole to route the wires through the firewall. Inspect the vehicle's firewall for access such as rubber plugs or and existing hole.
11. **IMPORTANT:** If drilling a hole in the firewall is required always de-burr the hole to ensure that there are no sharp edges that can damage the wire.
12. Install the rubber grommet provided into the drilled hole.
13. Slowly pull the two (2) white switch wires through the firewall into the engine compartment.
14. Connect the two (2) white switch wires to the two (2) white wires of the amplifier by pushing the mating insulated terminals together.



#### BLACK WIRE: Fig. 5

15. Connect the amplifier's black wire to ground, any metal body bolt that is clean of paint and rust or the vehicle's battery (-) post.

#### RED WIRE: Fig. 5

16. Connect the amplifier's red wire to (+) 12-volts, battery, alternator, fuse block, etc. The connection must be free of oxidation and rust.

**IMPORTANT:** The 10-amp inline fuse provided with the horn must be used to protect the vehicle. The inline fuse must be installed no further than 6 inches from the power source.

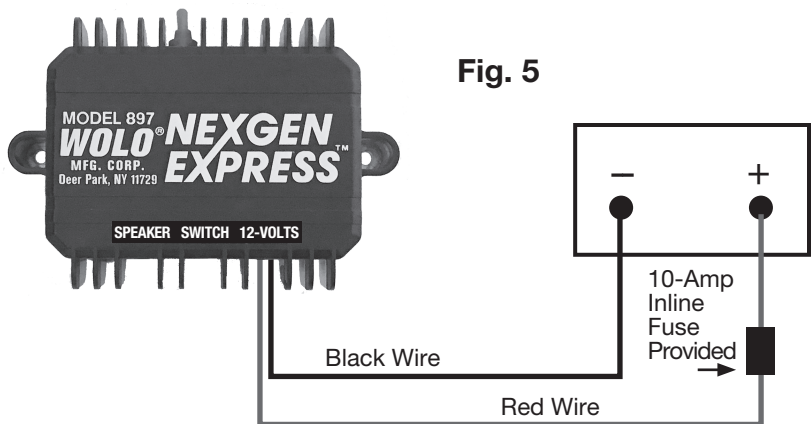
**NOTE:** Remove the fuse from the holder until the installation is complete.

17. Make sure all wires are securely fastened to vehicle using plastic wire ties or electrical tape. **WARNING:** Carefully inspect the interior driver's area to make sure that any wires installed or vehicle electrical system wires that might have been moved are not interfering with the operation of vehicle's controls; accelerator, brake, clutch pedals etc.
18. Reconnect the inline fuse. **INSTALLATION IS COMPLETE.**

### PROGRAMING THE WIRELESS KEY FOB

The mini wireless fob allows the user to controller the audio volume and two (2) different train horn sounds. The Nexgen is built with the latest self-learning technology to memorize the coded signal of wireless key fob and block out any other fob or remote transmitter.

19. Press and hold the key fob's number 1 and 2 buttons until you hear short beep from the horn.
20. Release the number 1 and 2 buttons on the key fob.
21. Your key fob is now programed to the horn. After three (3) minutes the horn's self-learning will be locked to digital code of the key fob just programed, blocking out all fobs and transmitter.
22. If you need to reprogram the horn with a new Nexgen key fob disconnect power to the horn for 10 seconds by removing the horns inline fuse. Reprogram following above steps 19-21.



## WIRELESS KEY FOB

23. Press and hold the wireless transmitter button + or button - until you hear one beep to adjust the audio volume. Press and hold the wireless transmitter button 1 or button 2 and the horn will sound until the button is released.

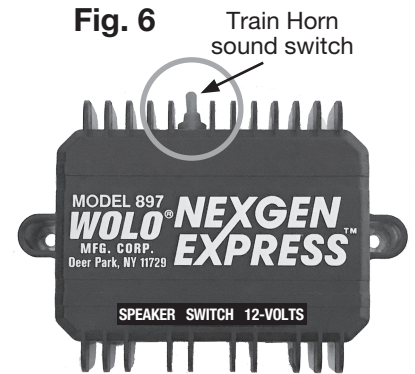
## MANUAL HORN BUTTON SWITCH (Optional)

The wired horn button switch allows the driver to sound one train horn sound of choice.

24. Press and hold the horn button switch and the horn will sound until the button is released.

25. To change the train horn sound controlled by the manual horn button switch, located on the front of the amplifier case there is a toggle switch with a red cover. Reposition the switch to position 1 or 2 to change the sound file that the manual horn button switch will sound. See Fig. 6.

**KEY FOB REPLACEMENT** If you need to replace the key fob the cost is \$49.99 which includes shipping by USPS within the continental United States. You can order by calling Wolo at 631-242-0333 and the part number is 897-KF.



### Warranty

Wolo Manufacturing Corporation ("Wolo") warranties to the original purchaser, for three months from the date of purchase, that this product is free from defects in workmanship and materials. If there is such a proven defect, Wolo, at its option, will either repair or replace the item free of charge, if it is returned to Wolo within three months from the date of purchase together with proof of purchase as described below. Wolo reserves the right to inspect any defect prior to settling any warranty claim by repair or replacement. This warranty is limited as above provided and Wolo will not be responsible for fire or other casualty or accident, due to neglect, abuse, abnormal use, modifications, faulty installation of this product, or natural causes.

ANY EXPRESSED WARRANTY NOT PROVIDED HEREIN IS EXCLUDED AND DISCLAIMED. THE IMPLIED WARRANTIES OF MERCHANTABILITY AND OF FITNESS FOR A PARTICULAR PURPOSE ARE EXPRESSLY LIMITED TO A TERM OF THREE (3) MONTHS. UNDER NO CIRCUMSTANCES SHALL WOLO BE LIABLE TO PURCHASER OR ANY OTHER PERSON FOR ANY SPECIAL OR CONSEQUENTIAL DAMAGES, WHETHER ARISING OUT OF BREACH OF WARRANTY OR OTHERWISE.

To obtain warranty service, return the product prepaid, and include the original bill of sale showing the date of purchase. Provide with the return a brief description of the problem with a daytime telephone number. Also, include with the return a check or money order in the amount of \$20.00 to cover return shipping.

Mail to:

**Wolo Manufacturing Corp.**  
Attn: Warranty Service  
One Saxwood Street, Deer Park, NY 11729  
E-mail: tech@wolo-mfg.com

