

Blind Mount Drop visor for
Ultra Cab & Flat Top Cab 1988 & Newer
Fits both cab mount and
door mount mirrors

Remove factory visor and brackets.
Replacement brackets will be installed at a factory rivet location with some additional drilling required. Kit contains 6 brackets. Most trucks have outer brackets on the 9th rivet location from the center. If the truck does not have a bracket at the 9th rivet location, additional drilling is required.
The two center brackets have Cab type specific mounting.
See diagram #1 below for full details.
Required hole size for mounting brackets is 1/2"

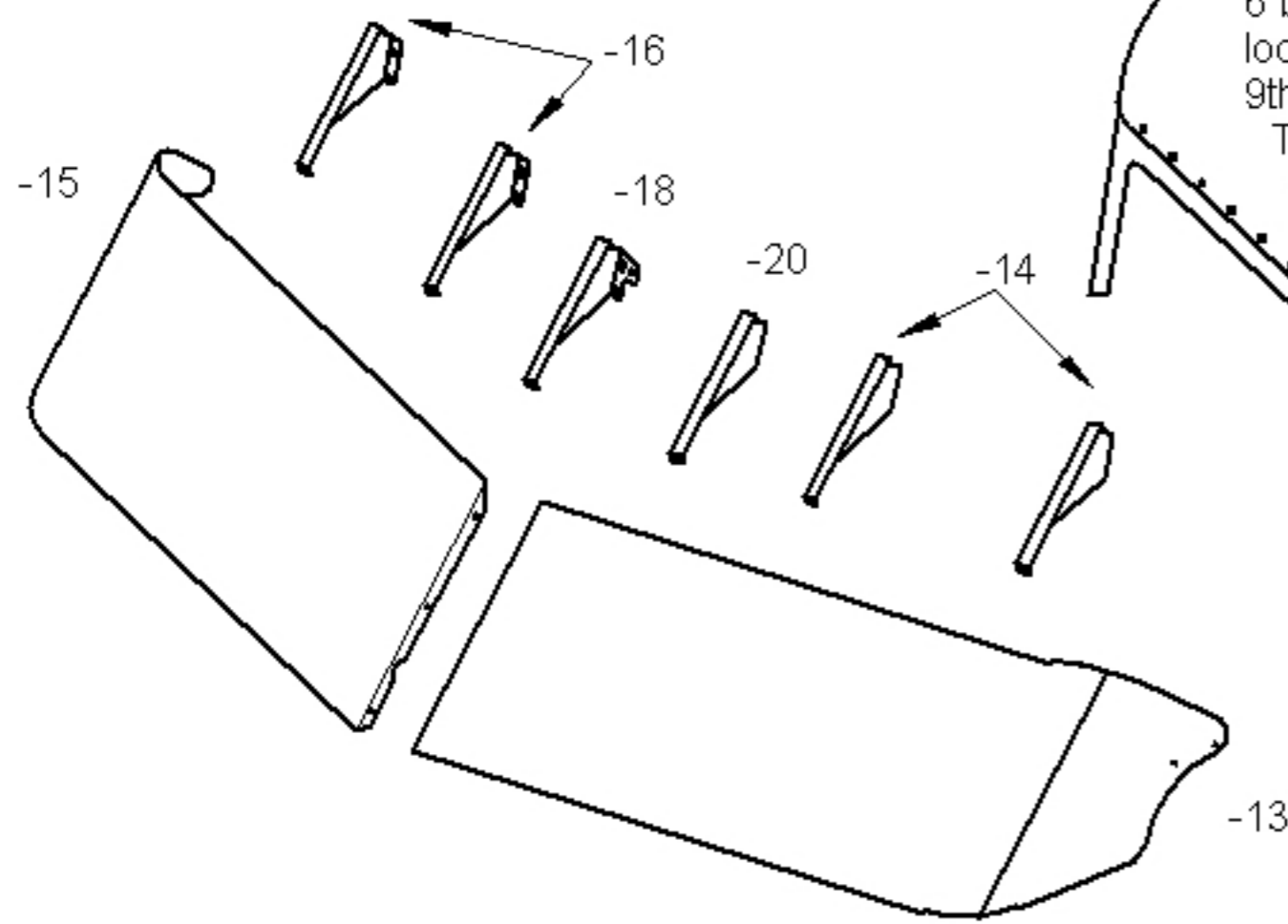
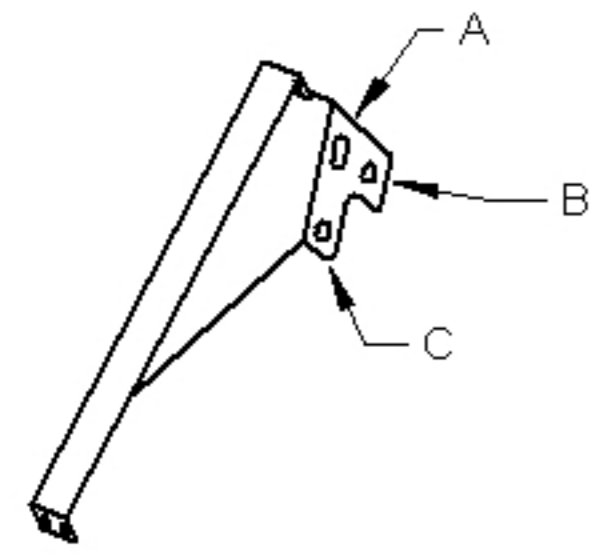


Diagram #1



- 18 & -20 mounting bracket installation guide
- On Ultra Cabs
 A. This is an existing hole location of the factory center bracket
 B. This is a new hole location that will need to be drilled
 C. This is an existing hole location of the factory center bracket
- On Flat Top Cabs
 A. This is a new hole location that will need to be drilled
 B. This is an existing hole location of the factory center bracket
 C. This is an existing hole location of the factory center bracket

35065-IN use for
35065 / 35066 / 35067 / 35068