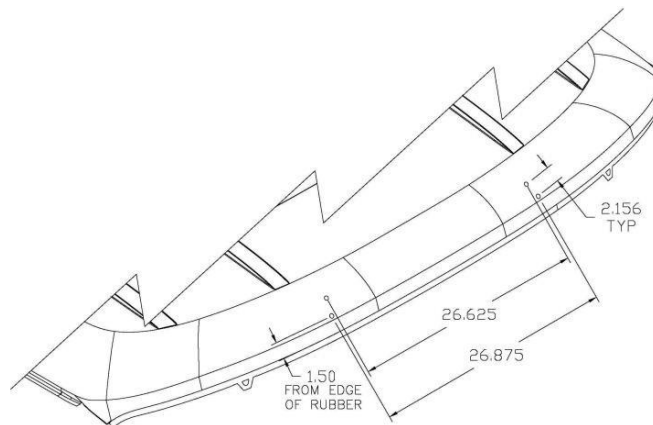


# Stainless Steel Accessories

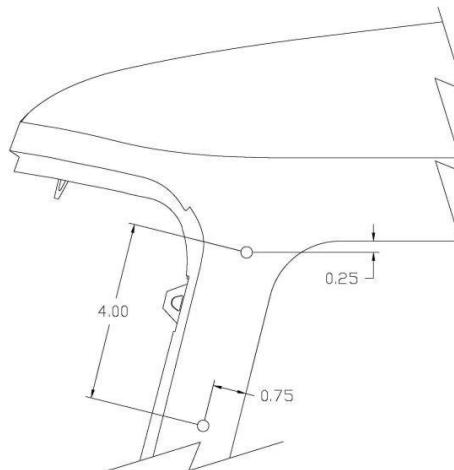
## Sunvisor – 10.21" & extra deep 13" mack model installation instructions

11/19/2020

1. Assemble visor according to drawing on page 2. Use hardware in MSS-129HB
2. If factory sunvisor exists, please remove it and go directly to step 6. If drilling holes into cab is required please follow steps 3-5.
3. Mark four holes according to drawing below. All dimensions are given with measuring tape following contours of roof. Holes are symmetrical about centre of cab. Cab may not be exactly as shown.



4. Align holes of brackets from assembled visor with 4 holes marked in step 2. Ensure visor is centered and has a good fit and mark 2 holes on each side of cab. Figure below is an approximation of side hole locations.



5. Drill holes and install nut inserts into 6 marked holes according to instructions provided.
6. If factory sunvisor is replaced, attach visor to truck with using the 8 supplied **M6** (metric/Fine thread) bolts provided (MSS-087HB). If there was no existing sunvisor, use 1/4-20 hardware provided (MSS-129HB).

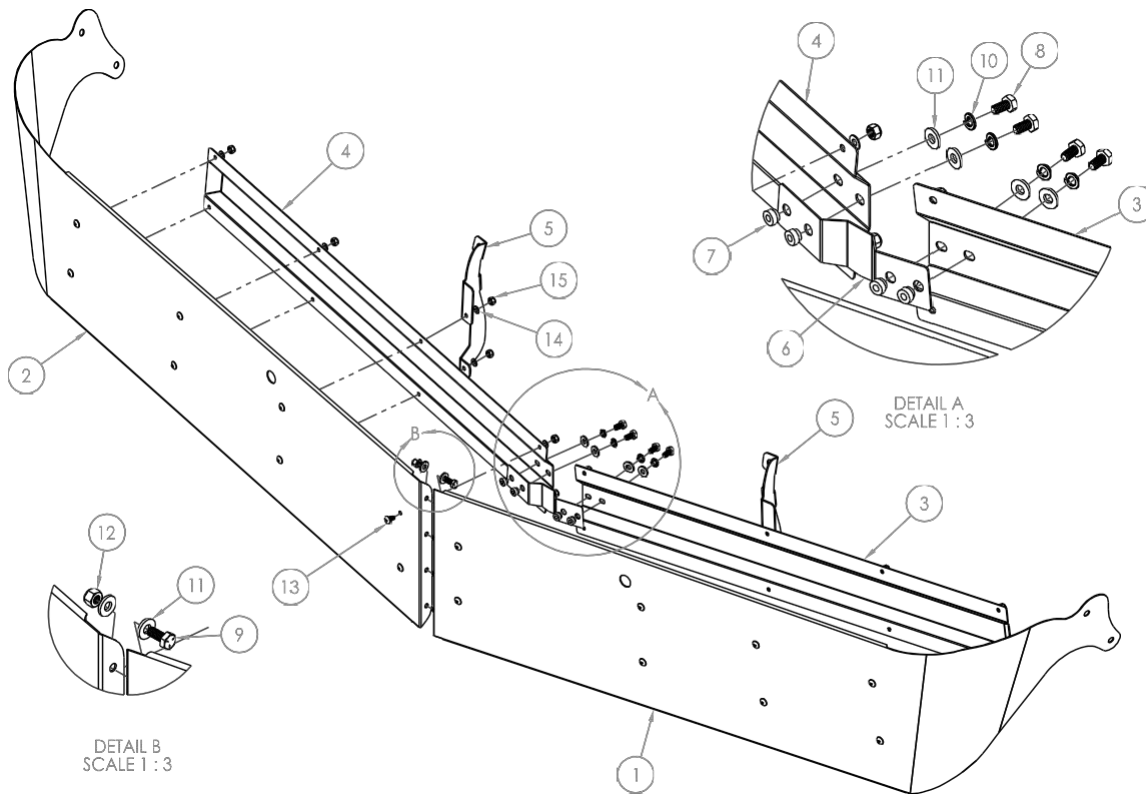
Page 1 of 2

11192020



**United Pacific**

*Reliable. Hardworking. Quality Products.*



15	10-32SSLN	16	10-32 STAINLESS STEEL LOCKNUT NYLON INSERT "NE" WAXED
14	10SSFW	16	.437" X .203" X .031" STAINLESS STEEL FLAT WASHER
13	10-32X1/2-SS-TH-P	16	10-32 X 1/2" STAINLESS STEEL TRUSS HEAD Phillips DRIVE SCREW
12	1/4-20-SS-IN	4	1/4" - 20TPI STAINLESS STEEL LOCKNUT NYLON INSERT "NE"
11	1/4SSFW	12	.625" X .281" X .040" STAINLESS STEEL FLAT WASHER
10	1/4SSLW	4	1/4" STAINLESS STEEL LOCKWASHER
9	1/4-20X5/8-SS-HH	4	1/4" - 20TPI X 5/8" STAINLESS STEEL HEX CAP SCREW "TFL"
8	1/4-20X1/2-SS-HH	4	1/4" - 20TPI X 1/2" STAINLESS STEEL HEX CAP SCREW "TFL"
7	1/4-20X.123ZSCN	4	1/4" - 20x .123 (MIN THICKNESS) ZINC SHFT CLINCH NUT
6	DMF-001S	1	CLAMP, CHANNEL, MACK FACTORY SUNVISOR
5	BRACKET	2	BRACKET, SUNVISOR
4	DMF-001CF	1	CHANNEL, STIFFENING, MACK FACTORY SUNVISOR, PASSENGER SIDE
3	DMF-001CD	1	CHANNEL, STIFFENING, MACK FACTORY SUNVISOR, DRIVER SIDE
2	PASSENGER SIDE	1	SUNVISOR, PASSENGER SIDE
1	DRIVER SIDE	1	SUNVISOR, DRIVER SIDE
ITEM	PART No.	QTY	DESCRIPTION

